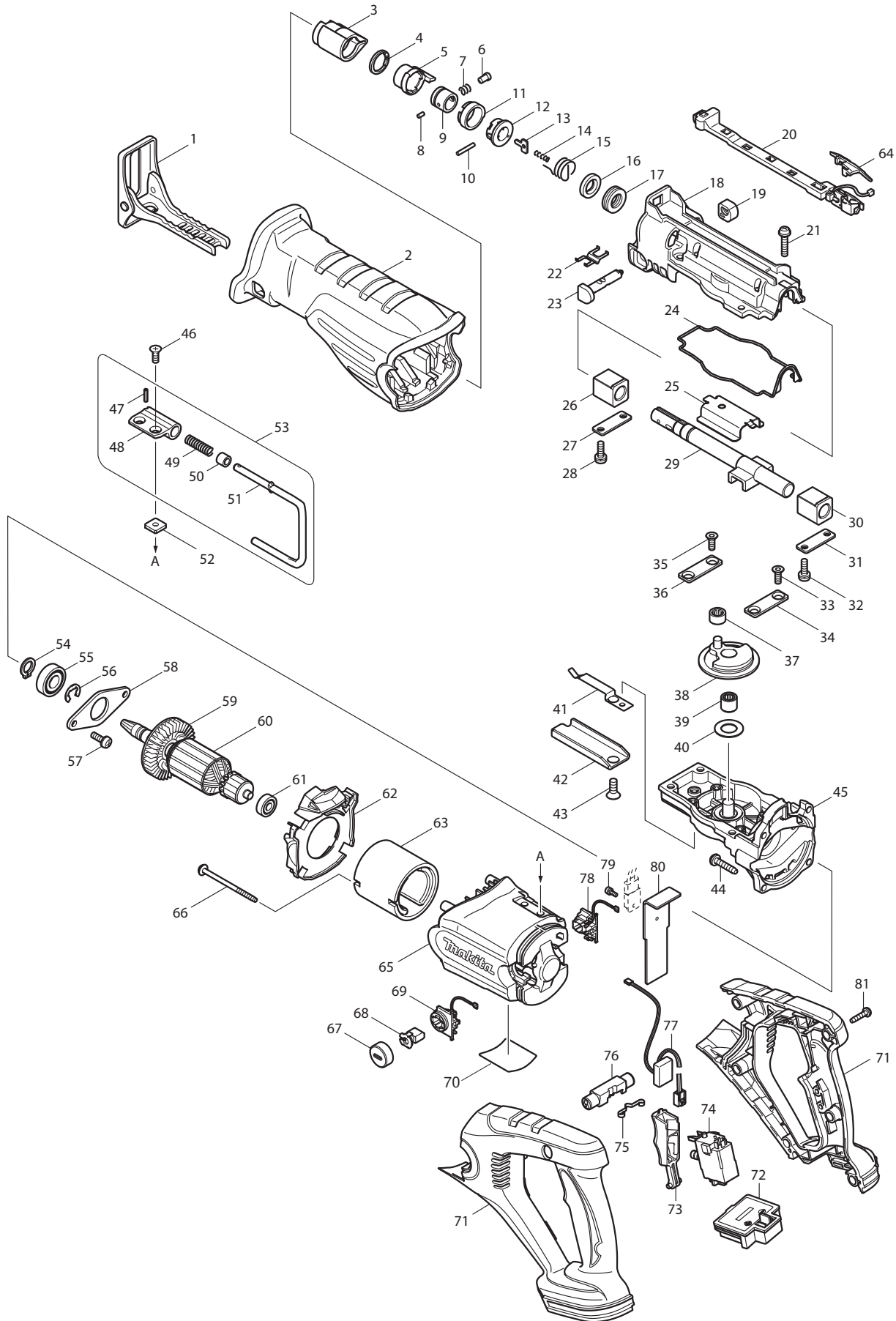




11 - 2013
DJR181RFE / DJR181F / DJR181Z
18V RECIPRO SAW



Item No.	Type	Sub	Part No.	Description	Qty	Unit
1			163453-5	SHOE	1	PC.
2			421945-3	INSULATION COVER	1	PC.
3			424147-0	PROTECTOR	1	PC.
4			257952-8	RETAINING RING (EXT) 18	1	PC.
5			310285-3	DRIVING SLEEVE	1	PC.
6			256492-3	SHOULDER PIN 5	1	PC.
7			233345-3	COMPRESSION SPRING 6	1	PC.
8			268094-3	PIN 3	1	PC.
9			331720-8	GUIDE SLEEVE	1	PC.
10			256158-5	PIN 3	1	PC.
11			417791-0	DRIVING SLEEVE GUIDE	1	PC.
12			418311-3	SLEEVE	1	PC.
13			345214-7	PUSH PLATE	1	PC.
14			233025-1	COMPRESSION SPRING 2	1	PC.
15			231687-9	TORSION SPRING 17	1	PC.
16			213151-2	OIL SEAL 14	1	PC.
17			213174-0	X RING 14	1	PC.
18			154813-2	GEAR HOUSING COVER COMPLETE	1	PC.
		INC.		Item No. 16,17		
19			418806-6	CAP	1	PC.
20			631689-9	LED CIRCUIT	1	PC.
21			911243-8	PAN HEAD SCREW M5X25	4	PC.
22			232221-8	LEAF SPRING A	1	PC.
23			162236-0	SHIFT BUTTON	1	PC.
24			421946-1	SEAL RING	1	PC.
25			345480-6	SLIDE PLATE	1	PC.
26			214170-1	PLANE BEARING 14A	1	PC.
27			341462-6	PLATE	1	PC.
28			911225-0	PAN HEAD SCREW M5X16	2	PC.
29			168405-1	SLIDER	1	PC.
30			214170-1	PLANE BEARING 14A	1	PC.
31			341462-6	PLATE	1	PC.
32			911225-0	PAN HEAD SCREW M5X16	2	PC.
33			265148-7	TORX SOCKET HEAD SCREW M5X14	2	PC.
34			344795-8	PLATE C	1	PC.
35			265148-7	TORX SOCKET HEAD SCREW M5X14	2	PC.
36			344795-8	PLATE C	1	PC.
37			212959-1	NEEDLE BEARING 708 (Material of Cage Metal)	1	PC.
38			125423-2	GEAR ASS'Y	1	PC.
38		INC.		Item. 39		
39			212080-6	NEEDLE BEARING 1012	1	PC.
40			253797-2	FLAT WASHER 14	1	PC.
41			232222-6	LEAF SPRING B	1	PC.
42			345479-1	SHOE GUIDE	1	PC.
43			265165-7	TORX SOCKET C.S.HEADSCREW M6X16	1	PC.
44			266041-8	TAPPING SCREW 5X25	4	PC.
45			154812-4	GEAR HOUSING COMPLETE	1	PC.
46			912207-5	COUNTERSUNK HEAD SCREW M5X10	2	PC.
47			951057-3	SPRING PIN 3-12	1	PC.
48			313127-0	JOINT	1	PC.
49			233455-6	COMPRESSION SPRING 7	1	PC.
50			262561-0	SLEEVE 6	1	PC.
51			281218-4	HOOK	1	PC.
52			264002-2	SQUARE NUT M5	2	PC.
53			125321-0	HOOK ASS'Y	1	PC.
53		INC.		Item No. 47-51		
54			961052-5	RETAINING RING S-12	1	PC.
55			210102-6	BALL BEARING 6001DDW	1	PC.
56			961016-9	STOP RING E-10	1	PC.
57			911225-0	PAN HEAD SCREW M5X16	2	PC.
58			285726-7	BEARING RETAINER 63	1	PC.
59			241869-5	FAN 55	1	PC.

Item No.	Type	Sub	Part No.	Description	Qty	Unit
60			519176-7	ARMATURE ASS'Y 18V Item No. 59,61	1	PC.
61		INC.	210062-2	BALL BEARING 607ZZ	1	PC.
62			419333-6	BAFFLE PLATE	1	PC.
63			638107-8	YOKE UNIT	1	PC.
64			419327-1	COVER	1	PC.
65			419330-2	MOTOR HOUSING	1	PC.
66			266292-3	TAPPING SCREW 4X65	2	PC.
67			643941-3	BRUSH HOLDER CAP	2	PC.
68			195022-4	CARBON BRUSH CB-441(2PCS/SET)	1	SET
69			643949-7	BRUSH HOLDER R	1	PC.
70			815E72-0	NAME PLATE F/DJR181	1	PC.
71			187485-8	HANDLE SET	1	SET
72			644808-8	TERMINAL	1	PC.
73			419336-0	SWITCH LEVER	1	PC.
74			650647-6	SWITCH C3LA-2A-LLMS	1	PC.
75			232152-1	LEAF SPRING	1	PC.
76			419334-4	LOCK OFF BUTTON	1	PC.
77			631690-4	POWER SUPPLY CIRCUIT	1	PC.
78			643815-8	BRUSH HOLDER	1	PC.
79			911006-2	PAN HEAD SCREW M3X8	1	PC.
80			689116-0	HEAT SINK	1	PC.
81			266045-0	TAPPING SCREW 4X20	6	PC.
100			195929-4	BLADE CLAMP KIT Item No. 3-15	1	PC.
D01		INC.	652038-7	PAN HEAD SCREW M3X8(FOR SWITCH)	2	PC.
D02			654077-3	INSULATED TERMINAL FK2-M3D-5.5	2	PC.
D03			654208-4	RECEPTACLE	2	PC.
E01	1		802T99-9	CAUTION LABEL	1	PC.
	2		802J50-9	CAUTION LABEL	1	PC.
<u>ACCESSORIES</u>				- See catalogue or visit www.makita.ca for more optional accessories -		
A01			-----	18V LI-ION BATTERY		
A02			-----	BATTERY CHARGER		
A03			194068-7	RECIPRO SAW BLADE SET	1	SET
			-----	RECIPROCATING SAW BLADES		
A04	1		824760-8	PLASTIC CARRYING CASE	1	PC.
		INC.	163455-1	LATCH	2	PC.
	2		141354-7	PLASTIC CARRYING CASE COMPLETE	1	PC.
		INC.	163455-1	LATCH	2	PC.
			821007X	21" TOOL BAG	1	PC.
A05			-----	LI-ION BATTERY ACCESSORIES		